



# ONU-OSPE301

## ONU Outdoor Enclosure

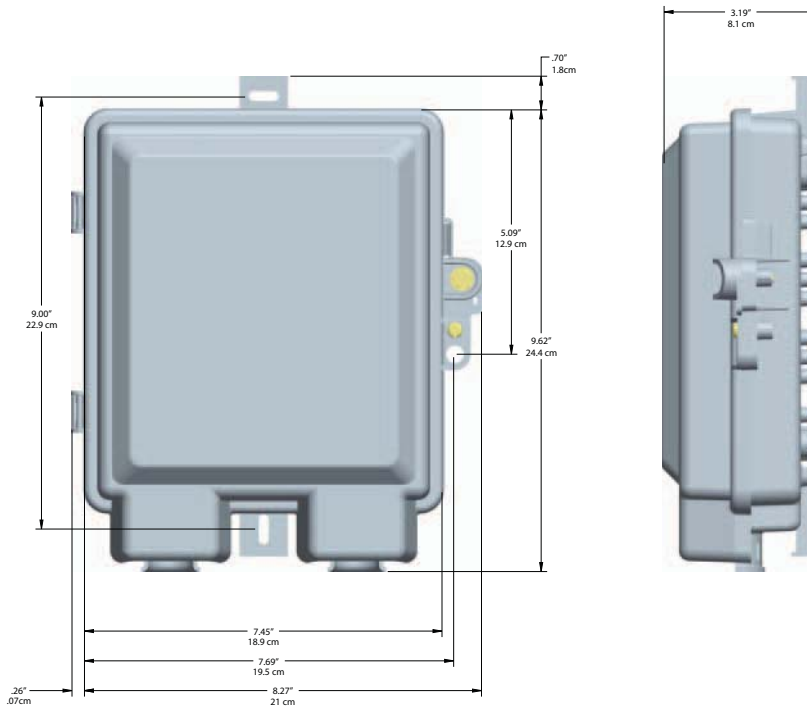
The Motorola ONU-OSPE301 enclosure houses a Motorola Optical Network Unit (ONU) and associated cable management. Compliant with industry standards, the unit can be mounted on any outdoor or indoor vertical surface. The ONU-OSPE301 includes a telecommunications-grade plastic enclosure and multi-purpose mounting plate. The mounting plate provides for the attachment of the ONU along with grounding, strain relief, and fiber management with an integrated splice tray and fiber storage. Compact size and all-inclusive features make the Motorola ONU-OSPE301 an ideal solution for residential, MDU, and business subscriber locations.

### Enclosure Features

- Integrated cable management
  - Strain relief
  - Splice tray
  - Fiber routing
  - Fiber storage
- Self-sealing cable gaskets
- Self-latching hinged cover with lockable access control
- Grounding lug
- Strain relief for cables
- Weather-resistant, high-impact thermoplastic construction

## Data Sheet

ONU-OSPE301  
ONU Outdoor Enclosure



## Ordering Information

Model Name	Description
ONU-OSPE301	ONU Standard outside enclosure
<b>Related Products</b>	
ONU100K	Optical Network Unit, RFoG, 50MHz-1.1GHz FWD, 5-42MHz RTN, 1310nm RTN TX
ONU100A	Optical Network Unit, RFoG, 88MHz-1.1GHz FWD, 5-65MHz RTN, 1310nm RTN TX
ONU120K	Optical Network Unit, RFoG, 50MHz-1.1GHz FWD, 5-42MHz RTN, 1610nm RTN TX
ONU120A	Optical Network Unit, RFoG, 88MHz-1.1GHz FWD, 5-65MHz RTN, 1610nm RTN TX
ONU150K	Optical Network Unit, RFoG, 50MHz-1.1GHz FWD, 5-42MHz RTN, 1610nm RTN TX, PON Expansion Port
ONU150A	Optical Network Unit, RFoG, 88MHz-1.1GHz FWD, 5-65MHz RTN, 1610nm RTN TX, PON Expansion Port
ONU190K	Optical Network Unit, RFoG, 54MHz-1.1 GHz FWD Pass-thru, 5-42MHz RTN, 1610nm RTN TX
ONU190A	Optical Network Unit, RFoG, 88MHz-1.1GHz FWD Pass-thru, 5-65MHz RTN, 1610nm RTN TX
WT-12V-110-NEMA1-F	ONU Wall Transformer, 12VDC Output, COAX feed, 110VAC Input, NEMA 1-U.S. Style plug
WT-12V-220-EU-B	ONU Wall Transformer, 12VDC Output, Bayonet style connector, 220VAC Input, European Style wall plug
UPS-12V-NB	UPS for ONU, 12VDC, 24W, with charger (battery not included)
UPS-12V-NB-H	UPS for ONU, 12VDC, 24W, with charger (battery not included), Hardened
ONU-CBL-COAX-UPS	UPS to Coax adapter cable, 8" long
ONU-CBL-BAYONET-UPS	UPS to Bayonet adapter cable, 8" long
R1U-RX100BX4	Quad Return-path receiver, 5-100MHz, 1200-1620nm, rear output
AM-OCM-II-WDM-1310/1550-M-SCA	Optical Mux/Demux, 1310nm & 1550nm, monitoring port, SC/APC
AM-OCM-II-WDM-1310/1490/1550-M-SCA	Optical Mux/Demux, 1310nm, 1490nm, & 1550nm, monitoring port, SC/APC
AM-OCM-II-WDM-1310/1490/1550/1610-M-SCA	Optical Mux/Demux, 1310nm, 1490nm, 1550nm, & 1610nm, monitoring port, SC/APC



Motorola, Inc., 101 Tournament Drive, Horsham, Pennsylvania 19044 U.S.A. [www.motorola.com](http://www.motorola.com)

MOTOROLA and the Stylized M Logo are registered and Broadscope is trademarked in the US Patent & Trademark Office. All other product or service names are the property of their respective owners. © Motorola, Inc. 2009. All rights reserved.

568940-001-a 0309 5985 - 0K